

# Skiploader

The Skiploader range offers a perfect weight to capacity ratio to optimize the efficiency of your truck. The telescopic Skiploader provides a wider range of skip sizes and positions. A simple and easy control system ensures safe operation. The PALIFT Skiploader is a member of the huge PALFINGER product family and is designed and produced according to the PALFINGER quality standards:

## Low dead weight and maintenance-friendly

- Safety & longevity
- Efficient container handling

## Available in 2 versions:

- Fixed arms
- Telescopic arms



# Designed for your needs

Our wide range of options guarantees the best use of the vehicle for your application

The standard version includes single tipping hook, independent foot stabilizer, manual control on left side, adjustable container stops, protected piston rods, check valves on each hydraulic cylinder, etc.

## Control system:

- Pioneer control - without any electrics and sensors for rough and harsh application guarantees 100% reliability
- Standard control – manual on the main-valve and with optional cab or radio remote control

## Standard



Single tipping hook



Foot plate stabilizer



Manual control directly on the main valve



Piston rod protection



Check valves on each hydraulic cylinder



Adjustable container stops – lengthwise / sidewise

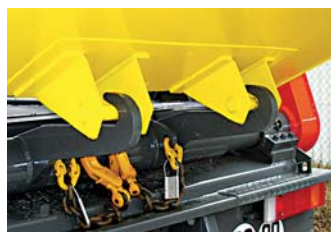


Steps for easy access

## Options



Crossbeam



Double – Tipping hooks



Tipping chains



Roller stabilizer



Protective wall between cab and container



External seat bench



Telescopic arms

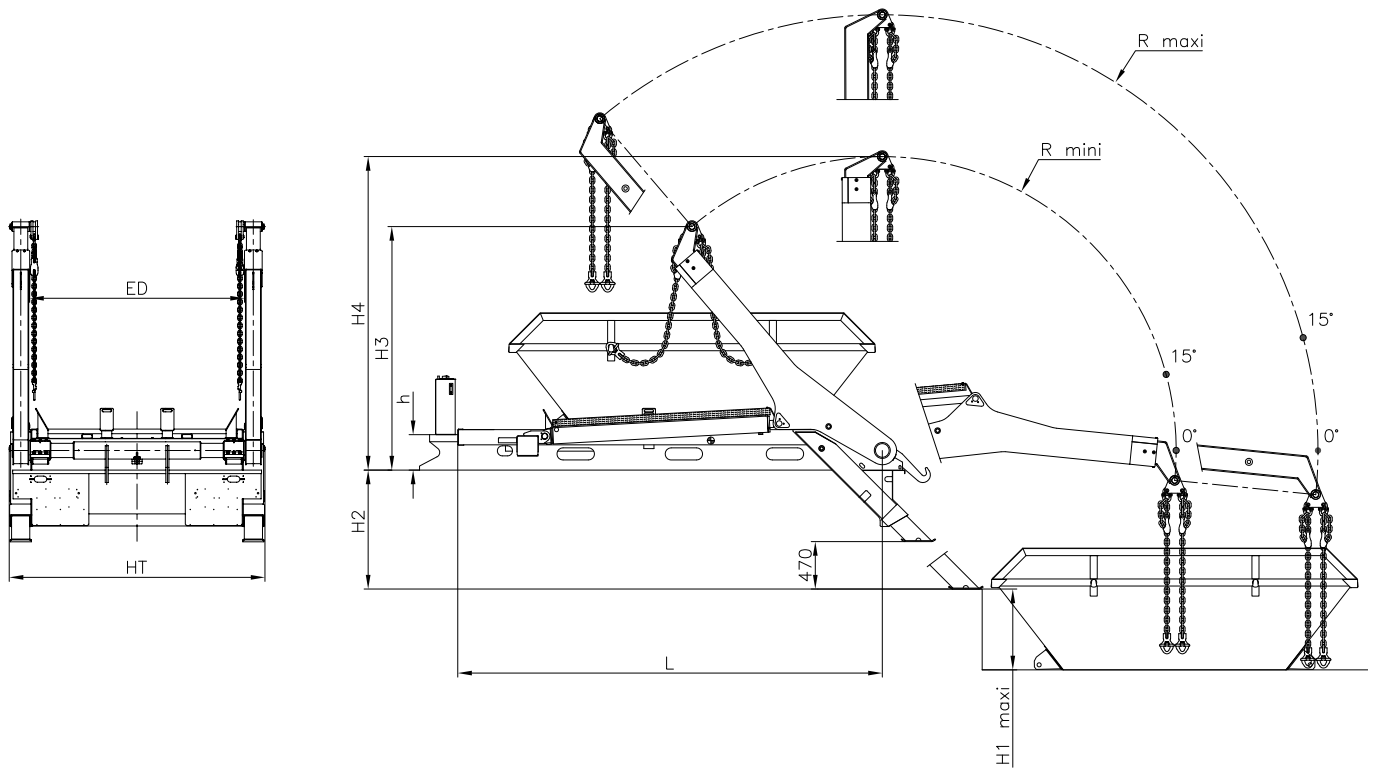


Ergonomic cab control

# Skiploder 8 - 18 ton capacity

## Basic data

Please see the technical data sheet for more detailed information\*)



Type	Capacity 15° (ton)		Capacity 0° (ton)		L (mm)	h (mm)	R mini (mm)	R maxi (mm)	H1 maxi (mm)	H 2 (mm)	H 3 (mm)	H 4 (mm)	HT (mm)	ED (mm)	Weight (kg)
	arm in	arm out	arm in	arm out											
M 8	8	-	6	-	3600 - 4400	310	2600	2600	600	850 - 1050	2170	2780	2410	2096	1950
M 8 T	8	5	6	3	3600 - 4400	310	3500	3500	600	850 - 1050	2010	2330	2410	2080	2150
M 10	10	-	7	-	3600 - 4400	310	2600	2600	600	850 - 1050	2170	2780	2410	2096	2050
M 10 T	10	7	7	4	3600 - 4400	310	3500	3500	600	850 - 1050	2010	2330	2410	2080	2250
M 12	12	-	8	-	3800 - 4600	310	3000	3000	800	960 - 1200	2502	3211	2530	2145	2450
M 12 T	12	7	8	5	3800 - 4600	310	2907	4310	800	960 - 1200	2431	3119	2530	2125	2750
M 14	14	-	10	-	3800 - 4600	310	3000	3000	800	960 - 1200	2502	3211	2530	2145	2550
M 14 T	14	9	10	6	3800 - 4600	310	2907	4310	800	960 - 1200	2431	3119	2530	2125	2850
M 16 T	16	10	12	8	4800 - 5600	310	2907	4310	800	1000 - 1200	2436	3124	2530	2125	3050
M 18 T	18	11	14	9	4800 - 5600	310	2907	4310	800	1000 - 1200	2436	3124	2530	2125	3150